

# XDiSC®

www.xdisc-plyty.pl

Cutting line	
Folding line	
Perforation line	
carton weight: 300 gsm	

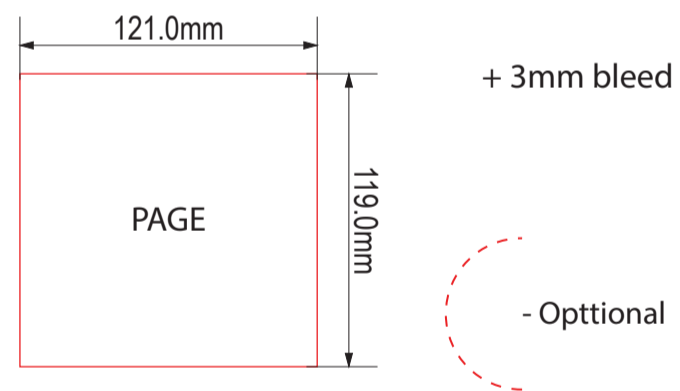
Bleed (3 mm)

Tolerance field (3 mm)

**DIGIPACK**  
**D18**

Drawing	D18 (139/125) spine 8 4 pages 1 tray wallet		
Scale	1/1	Method of Projection	AI (CC) / PDF
Date	17/02/2018		

Note Include booklet up to 24 pages, 115 gsm



Visualisation

