

# XDISC®

www.xdisc-plyty.pl

Cutting line ————  
Folding line ————  
Perforation line - - - -

carton weight: 300 gsm

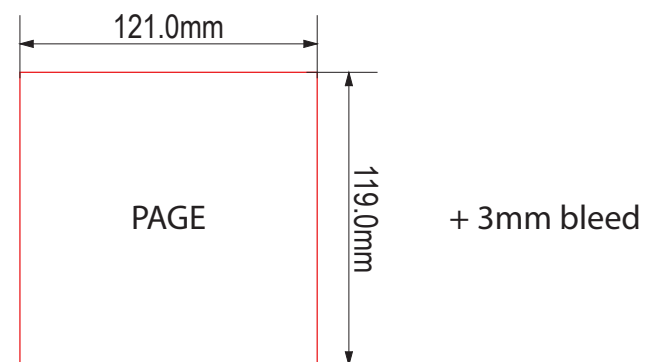
Bleed (3 mm)

Tolerance field (3 mm)

**UNIPACK**  
**U08**

Drawing	U08 (140/125) spine 3 4 pages wallet		
Scale	1/1	Method of Projection	AI (CC) / PDF
Date	26/02/2018		

Note Include booklet up to 24 pages, 130 gsm



Visualisation

