

XDISC

www.x-disc.pl

Cutting line
Folding line
Perforation line

carbon weight: 300 gsm

Bleed (3 mm)

Tolerance field (3 mm)

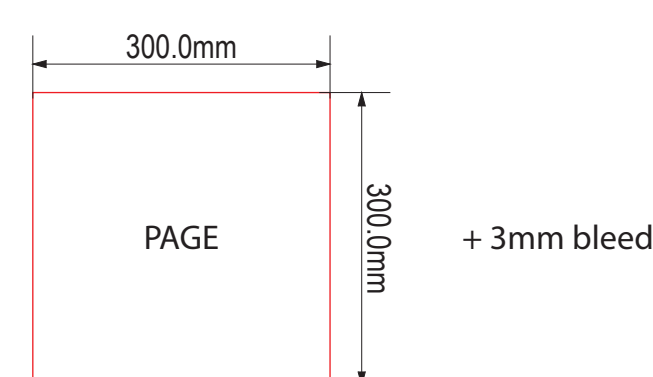
KOPERTA

KV34

Drawing KV34 spine 7 mm
GATEFOLD 3x VINYL 12' (LONG PLAY)

Scale 1/1
Date 27/04/2021
Method of Projection AI (CC) / PDF

Note Include booklet up to 20 pages, 175 gsm



Visualisation

