

XDISC®

www.x-disc.pl

Cutting line ————
Folding line ————
Perforation line - - - -

carton weight: 300 gsm

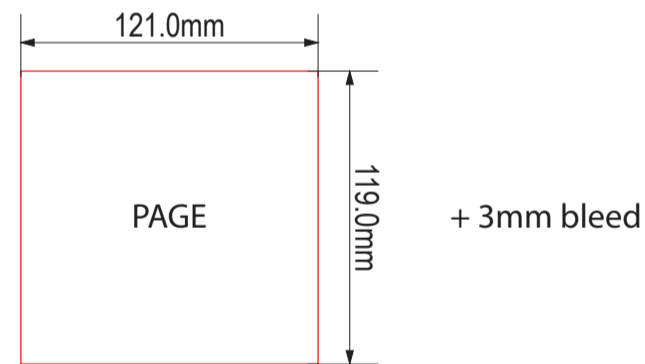
Bleed (3 mm)

Tolerance field (3 mm)

UNIPACK
U07

Drawing	U07 (140/125) spine 4 4 pages 2 wallets		
Scale	1/1	Method of Projection	AI (CC) / PDF
Date	26/02/2018		

Note Include booklet up to 24 pages, 130 gsm



Visualisation

