

# XDISC®

www.x-disc.pl

Cutting line	—
Folding line	—
Perforation line	- - -
carton weight: 300 gsm	

Bleed (3 mm)

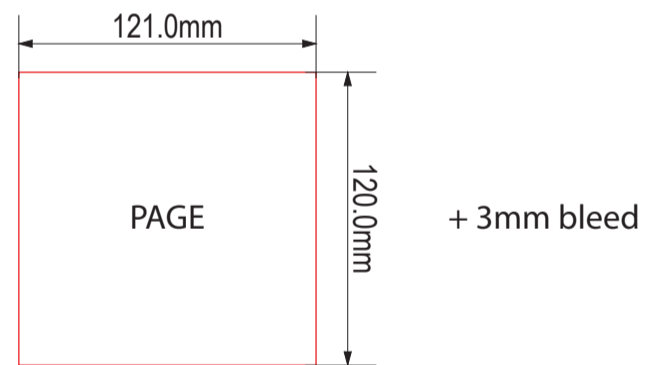
Tolerance field (3 mm)

UNIPACK

**U21**

Drawing	U21 (137/137) spine 3 mm 4 pages 2 wallet		
Scale	1/1	Method of Projection	AI (CC) / PDF
Date	09/04/2018		

Note Include booklet up to 24 pages, 130 gsm



Visualisation

