

XDISC

www.x-disc.pl

Cutting line	—
Folding line	—
Perforation line	- - -
carton weight: 300 gsm	

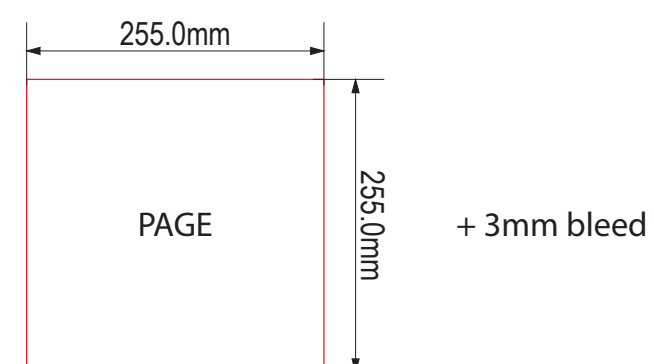
Bleed (3 mm)

Tolerance field (3 mm)

**KOPERTA
KV26**

Drawing	KV26 (265/265) spine 4 mm VINYL 10"		
Scale	1/1	Method of Projection	AI (CC) / PDF
Date	27/01/2021		

Note Include booklet up to 4 pages, 175 gsm



Visualisation

