

**XDISC®**

www.x-disc.pl

Cutting line ————

Folding line ————

Perforation line - - - - -

carton weight: 300 gsm

Bleed (3 mm)

Tolerance field (3 mm)

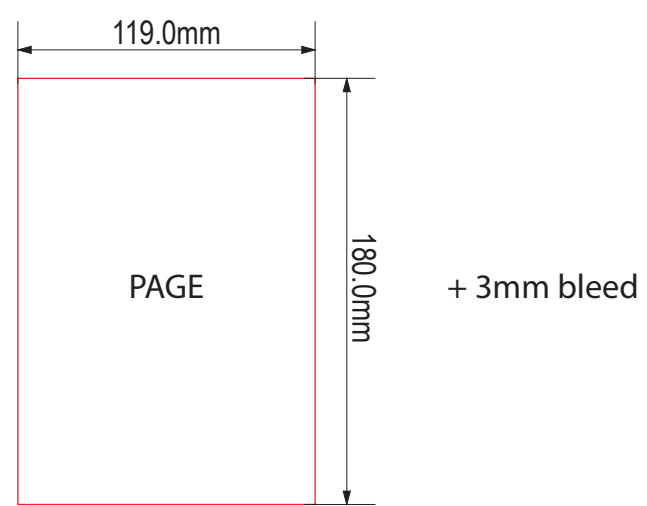
UNIPACK

**U26**

Drawing U26 (145/188) spine 4 mm  
4 pages  
1 dvd horizontal cut

Scale	1/1	Method of Projection	AI (CC) / PDF
Date	12/06/2018		

Note Include booklet up to 16 pages, 130 gsm



Visualisation

